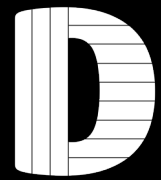


Log Store (1800mm x 600mm)

Fitting Instructions



Component List

Supporting Frame

- 2 x Rear Vertical Frame Supports 2x2 1200mm (A)
- 2 x Front Vertical Frame Supports 2x2 1100mm (B)
- 2 x Side Horizontal Frame Supports 2x2 510mm (C)

Floor

- 4 x Floor Joists 2x2 600mm (D)
- 3 x Floor Boards 6x1 Sawn Timber 1800mm (E)

Cladding

- 12 x Side Cladding 6x1 Sawn Timber 600mm (F)
- 6 x Rear Cladding 6x1 Sawn Timber 1800mm (G)

Roof

- 2 x Front/Rear Roof Supports 2x1 Sawn Timber 1800mm (H)
- 4 x Roof Rafters 2x1 Sawn Timber 600mm (I)
- 7 x Featheredge Roof Cladding 1800mm (J)
- 1 x Roof Fascia 4x1 Sawn Timber 1800mm (K)

Fixings

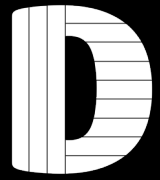
- 166 x 50mm Green Screws (FIX1)
- 14 x 75mm Green Screws (FIX2)

Tools Required:

- Drill driver
- Pencil
- Tape measure
- Spirit level

Log Store (1800mm x 600mm)

Fitting Instructions



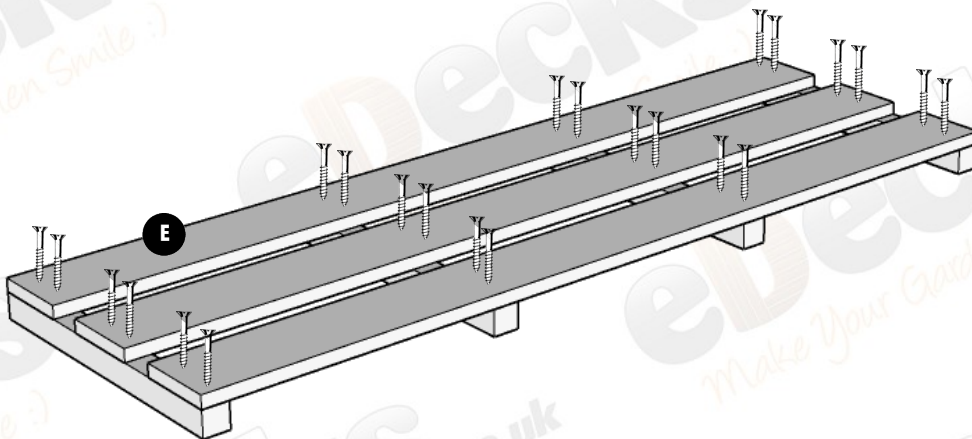
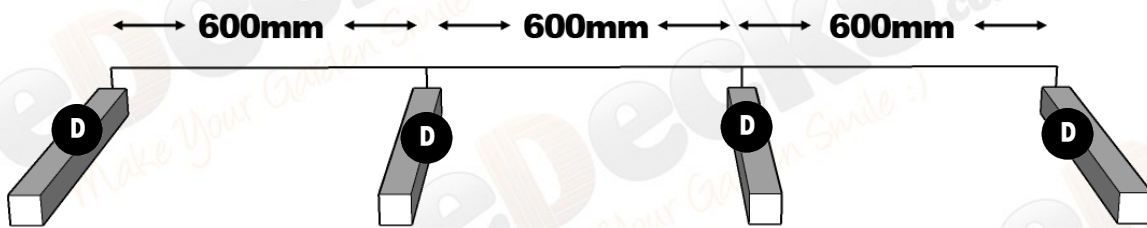
Section 1 – Building The Floor / Frame

Step 1

Lay out the Floor Joists (D) at 600mm centres and place the Floor Boards (E) over the top leaving equal gaps between the boards.

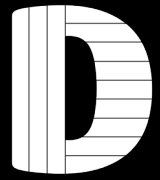
PLEASE NOTE: This will be either 3, 4 or 5 joists depending on your kit size.

Secure the Floor Boards (E) by driving 2 x 50mm Green Screws (FIX1) into each Floor Joist (D) as per the diagram below.



Log Store (1800mm x 600mm)

Fitting Instructions



Section 1 – Building The Floor / Frame

Step 2

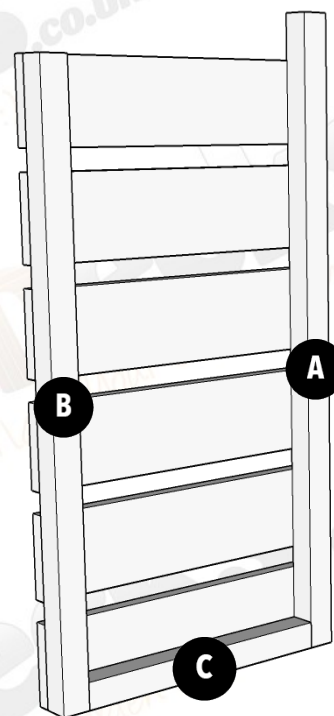
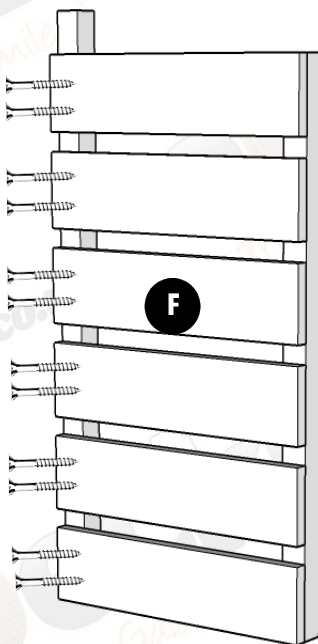
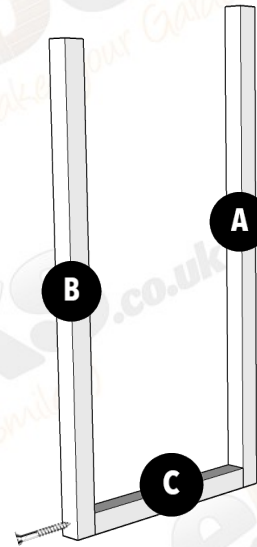
Create the frame sides using one of each of the following components **(A)** **(B)** and **(C)**.

Make sure the Vertical Frame Supports **(A)** and **(B)** are sat on the outside of the Horizontal Frame Support **(C)**.

Use 1 x 75mm Green Screw **(FIX2)** per upright to hold the Horizontal Frame Support in place.

Once the frame is joined together, lay flat and fix 6 x pieces of the Side Cladding **(F)** into place using 2 x Green Screws **(FIX 1)** per board per side.

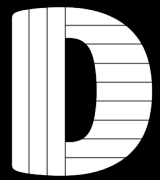
Starting from the bottom, ensure the first piece of Side Cladding **(F)** is flush to the frame and use 40mm spaces between each board to evenly distribute. This should end with the last piece of Side Cladding **(F)** being flush with the top of the Front Frame Support **(B)** and with Rear Frame Support **(A)** having 100mm stood proud.



All images are for illustration only. Please see individual item listings for actual item specifications.

Log Store (1800mm x 600mm)

Fitting Instructions



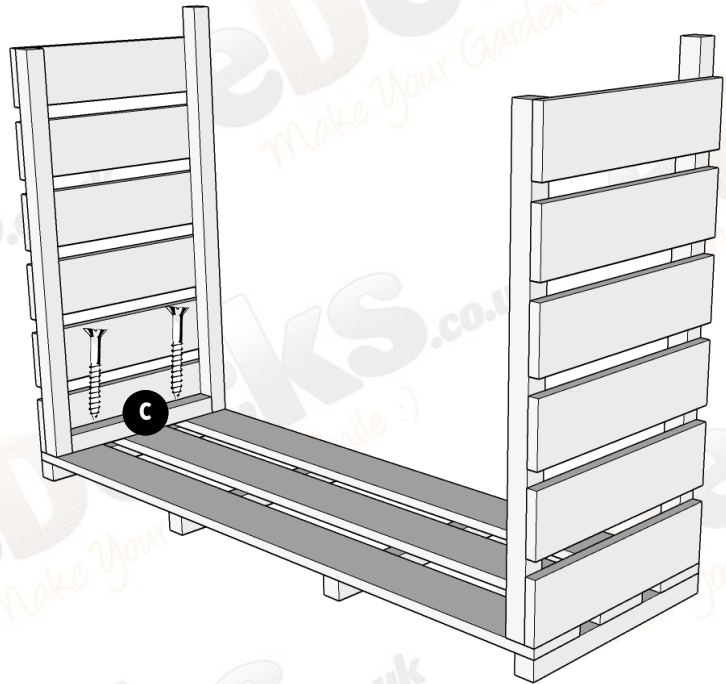
Section 1 – Building The Frame Cont'd

Step 3

With the two side panels created, they now need to be fastened to the floor section which was built in step one.

Lining up the side panels with the edge of the frame, drive 2 x 75mm Green Screws (**FIX 2**) through the top of the Horizontal Frame Support (**C**) into the base.

Use 2 x 75mm Green Screws (**FIX 2**) per floor board as outlined in the illustration.



Step 4

With the two side panels in place the Rear Cladding (**G**) can now be screwed to the Rear Vertical Frame Supports (**A**) using 2 x 50mm Green Screws (**FIX 1**) per board, per side.

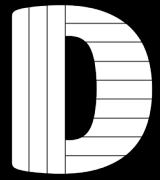
Line up the Rear Cladding (**G**) with the Side Cladding (**F**) to ensure a nice even finish all around the log store, again starting from the bottom and working upwards with a space of 40mm between each board.

Repeat the process on both sides until all boards are secured and lined up.



Log Store (1800mm x 600mm)

Fitting Instructions



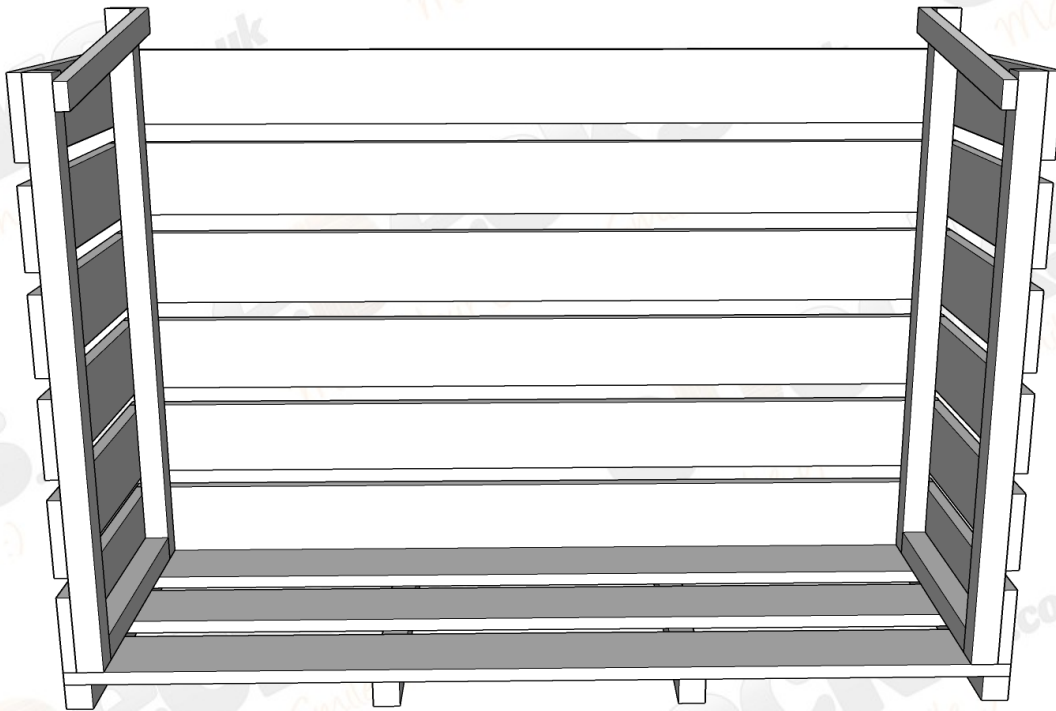
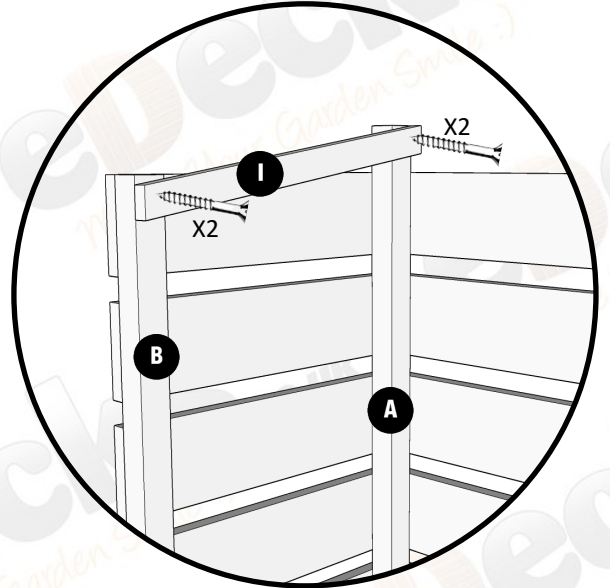
Section 2 – Installing The Roof

Step 5

With the frame now built, take 1 x of the Roof Rafters (**I**) and fix to the top of the Rear Vertical Frame Supports (**A**) and the Front Vertical Frame Support (**B**), using 2 x 50mm Green Screws (**FIX 1**) per side. Repeat this on both sides of the log store.

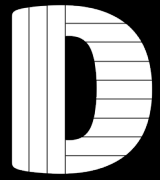
These pieces will be sloping downwards, creating the pitch of the roof.

Please note these Roof Rafters are to be screwed to the inside of the frame.



Log Store (1800mm x 600mm)

Fitting Instructions



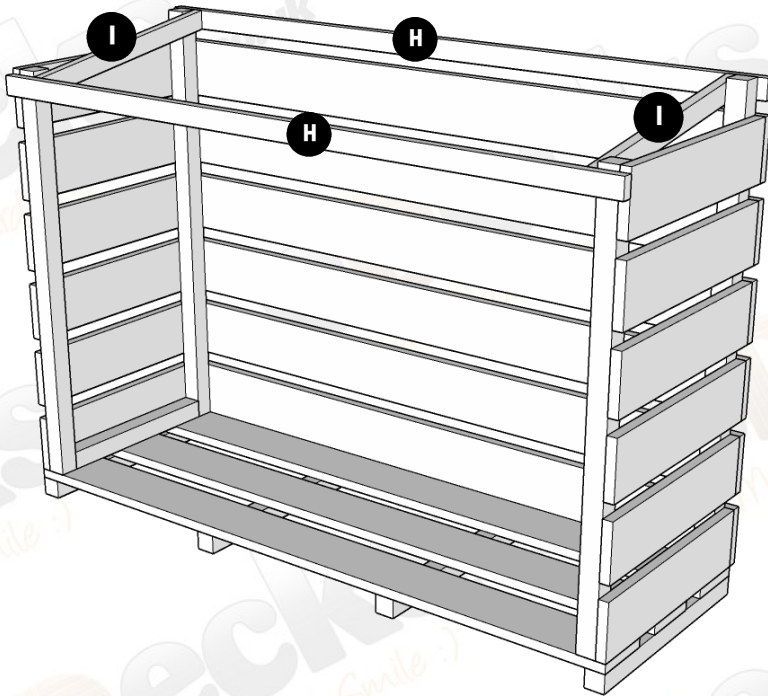
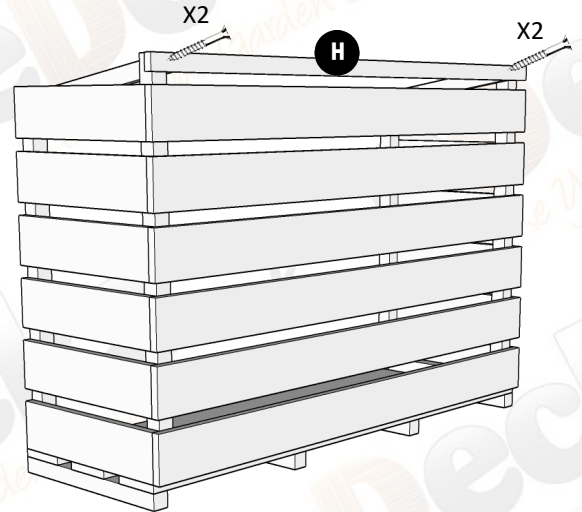
Section 2 – Installing The Roof

Step 6

With both side Roof Rafters (**I**) in place, take the Rear Roof Support (**H**) and attach this to the rafters you installed in step 5 by screwing through the backside into the rafter. This piece should sit flush with the top of your Rear Vertical Supports (**A**).

Repeat the process for the Front Roof Support (**H**), again, this should sit flush with the top of your Front Vertical Supports (**B**).

Secure in place using 2 x 50mm Green Screws (**FIX 1**) per side.

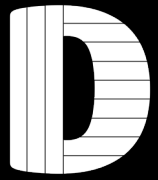


All images are for illustration only. Please see individual item listings for actual item specifications.

Page 6 of 9

Log Store (1800mm x 600mm)

Fitting Instructions



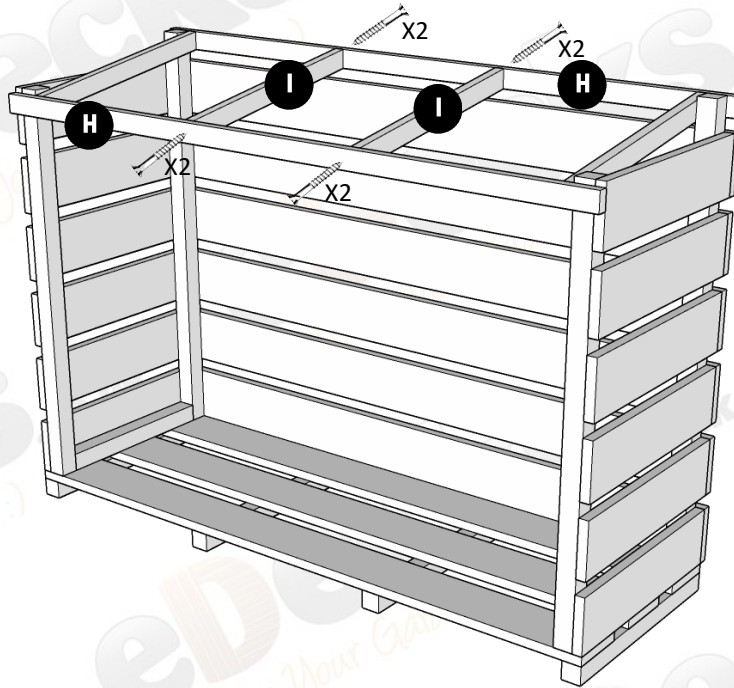
Section 2 – Installing The Roof

Step 7

With the Front and Rear Roof Supports (**H**) in place, the remaining 2 x Roof Rafters (**I**) can be screwed into place to complete the roof's substructure.

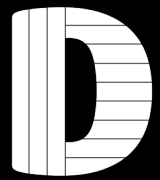
Measure 800mm in from one end and this is where your next rafter should be placed (see diagram).

Using 2 x 50mm Green Screws (**FIX 1**) drive through the Front/Rear Roof Supports (**H**) into the rafter to hold them securely in place.



Log Store (1800mm x 600mm)

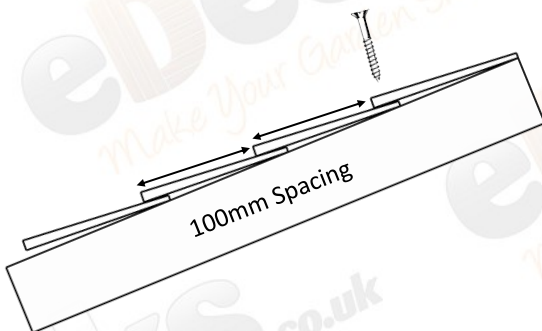
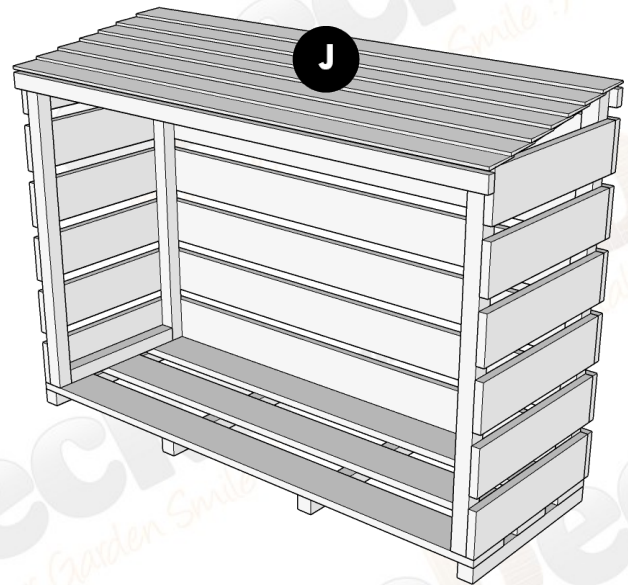
Fitting Instructions



Section 2 – Installing The Roof

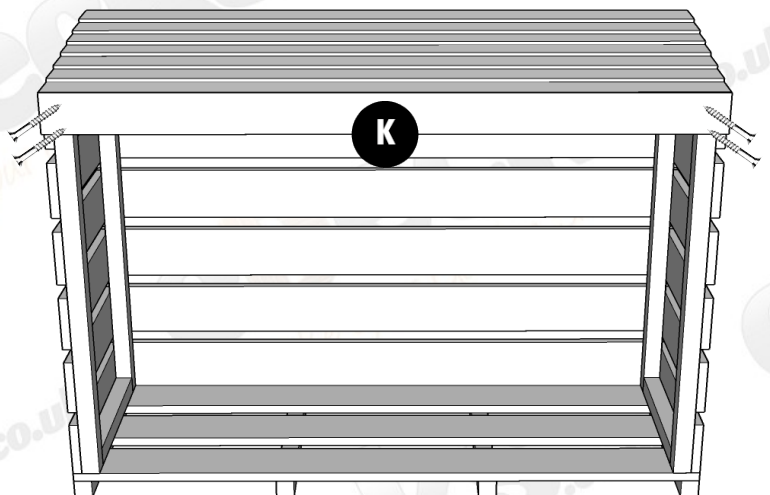
Step 8

Fix the Featheredge Roof Cladding (**J**) to the roof frame you have made in the earlier steps, working from the front of the log store to the back using 1 x 50mm Green Screw (**FIX 1**) per board, per rafter with a 25mm overlap, leaving 100mm of the board exposed, by doing this your last board should line up with the rear edge of the roof.



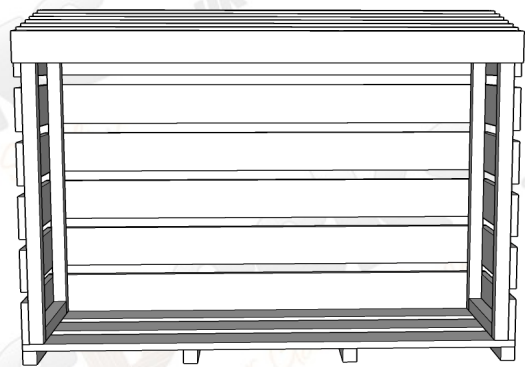
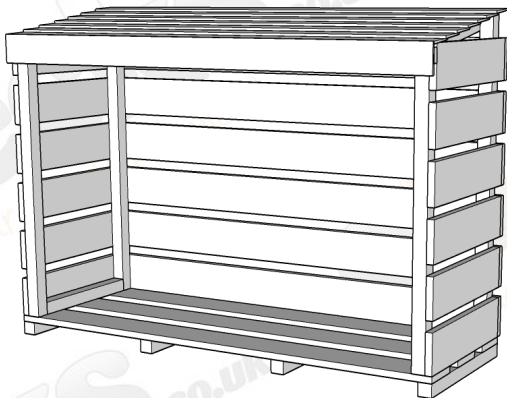
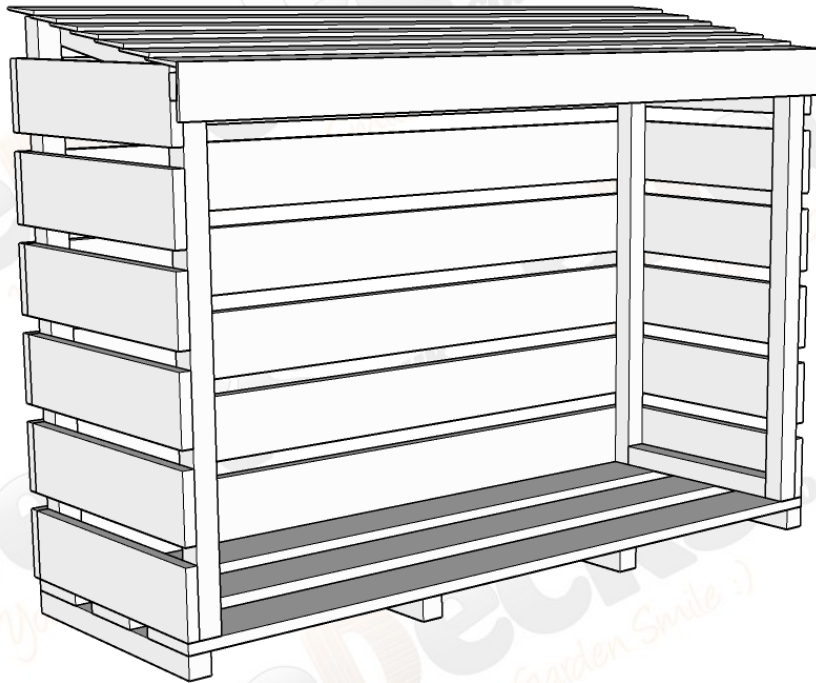
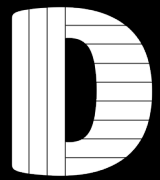
Step 9

To finish off your new Log Store, attach the Roof Fascia (**K**) along the front edge of the log store roofline using 2 x 50mm Green Screw (**FIX 1**) at either side, screwing into the Front Vertical Roof Supports (**B**).



Log Store (1800mm x 600mm)

Fitting Instructions



Enjoy your new Log Store!

All images are for illustration only. Please see individual item listings for actual item specifications.

Page 9 of 9